

**MICRO SWITCH**  
a Honeywell Division

FED. MFG. CODE 91 929

SWITCH - BASIC

CATALOG LISTING

V3L-112-D8

CQ-B1201

CATALOG LISTING  
V3L-112-D8  
PAGE 1 OF 1

ISSUE  
1

REVISIONS

DDM/CAD  
DRAWN  
T S M 18 NOV 98

REPLACES X111535-V3L

RELEASE NO. PR-23754

CHECK

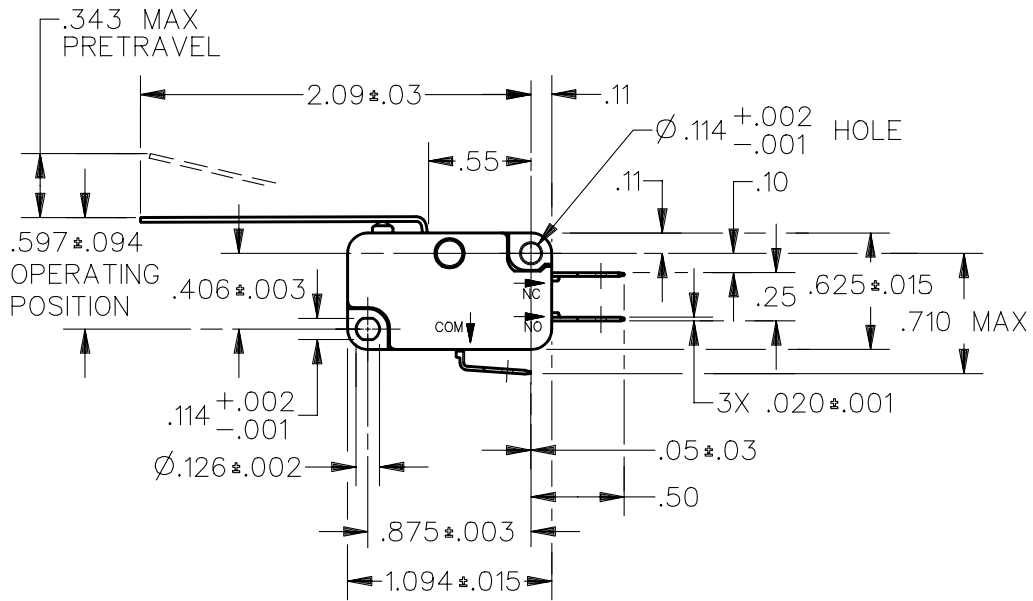
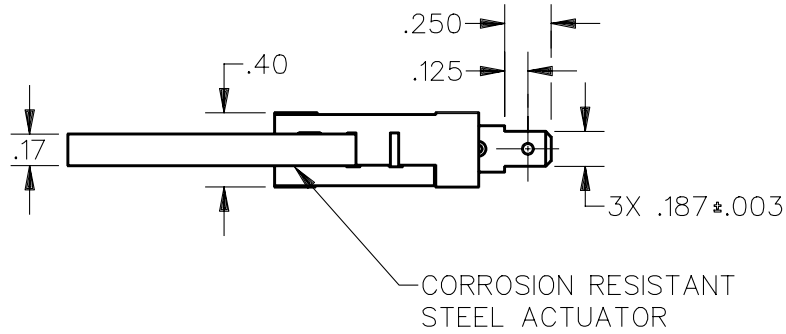
CHECK

18 NOV 98

J A F

CHECK

18 NOV 98



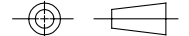
NOTE

1 - CAUTION: OVERTRAVEL FORCE ON LEVER MUST NOT RESULT IN AN OVERTRAVEL FORCE ON PLUNGER EXCEEDING FIVE POUNDS

ANSI Y14.5M-1982 APPLIES

THIS DRAWING COVERS A PROPRIETARY ITEM AND IS THE PROPERTY OF MICRO SWITCH, A DIVISION OF HONEYWELL. THIS DRAWING IS NOT TO BE COPIED OR USED WITHOUT THE APPROVAL OF MICRO SWITCH.

THIRD ANGLE PROJECTION



CHARACTERISTICS	ELECTRICAL DATA	SCALE FULL	DO NOT SCALE PRINT
		CONTACT ARRANGEMENT S P D T	
OPERATING FORCE ---46 GRAMS MAX	L156 11A 1/3HP 125, 250 OR 277 VAC 1/2A 125 VDC, 1/4A 250 VDC 4A 125 VAC "L"	ONE PLACE (.0)	±.030
RELEASE FORCE ---6 GRAMS MIN		TWO PLACE (.00)	±.015
DIFFERENTIAL TRAVEL ---.098 MAX		THREE PLACE (.000)	±.005
OVERTRAVEL ---.114 MIN		ANGLES	±
RELEASE TRAVEL ---.031 MIN		WEIGHT	

